

# HVJB-5-400 High Voltage Junction Box

Ampere EV's high voltage junction box is a compact and feature dense solution for EV power distribution incorporating traction pack fusing, fused HV accessory ports, main contactor, pre-charge circuit, HV discharge circuit, and integrated HVIL.



## Features

- Main contactor, pre-charge circuit, HV discharge circuit, accessory fuses.
- Integrated HVIL on each connector.
- Nickel plated copper bussing.
- Die-cast aluminum IP67 enclosure
- High quality durable connectors
- Wire wound chassis mount pre-charge and discharge resistors

## Rating Overview

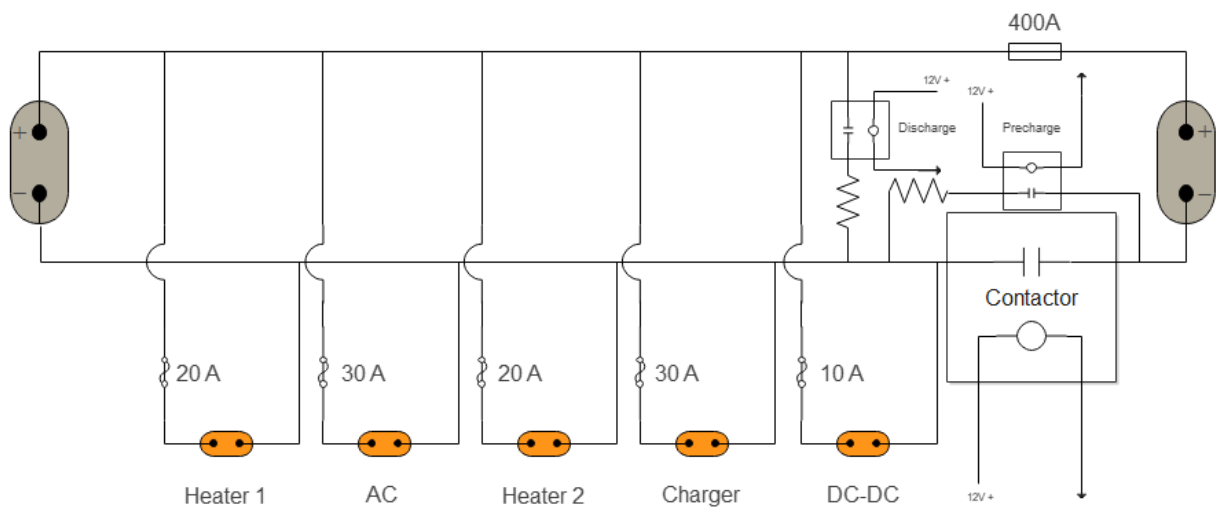
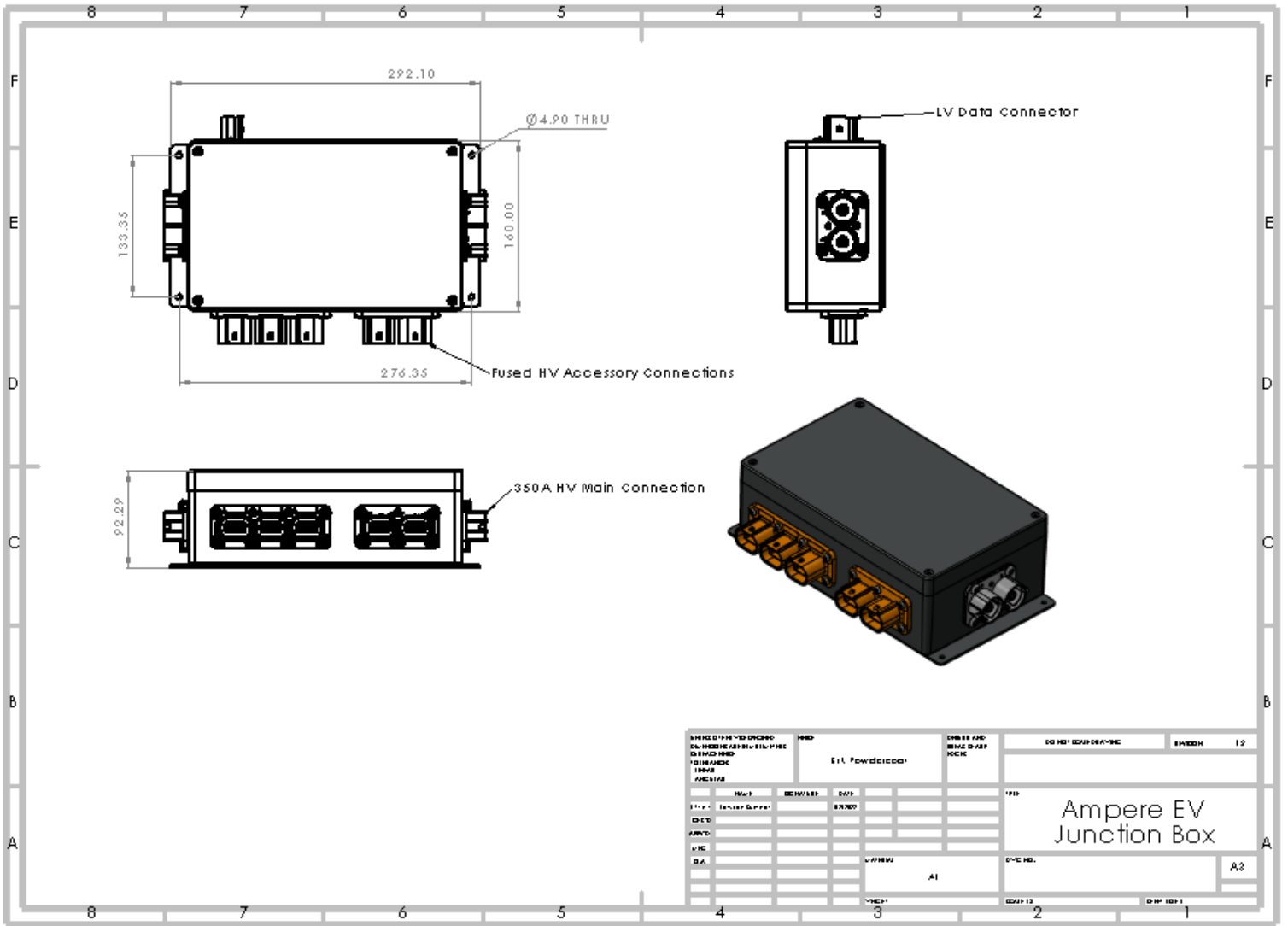
- Voltage: 500V
- Current: 350A continuous
- Current: 1200A (20s)
- Signal Voltage: 12V
- IP67 Water/Dust Resistance

## Components

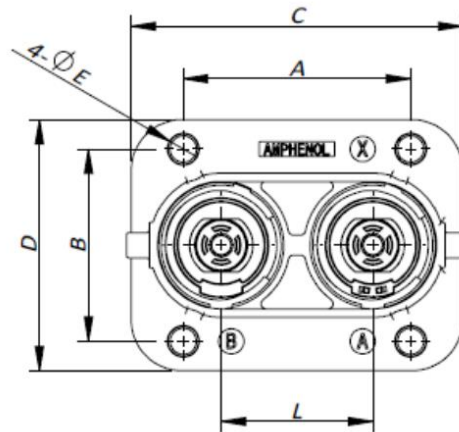
- High Voltage Contactor
- Pre-charge Relay and Resistor
- Discharge Relay and Resistor
- 1 Main Fuse
- 5 Auxiliary Fuses

## Fuses

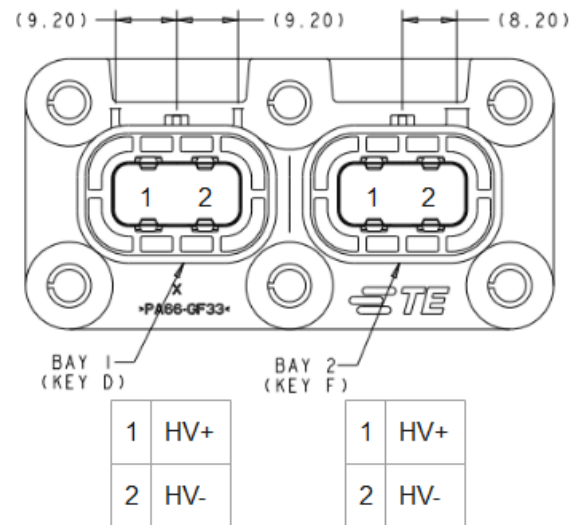
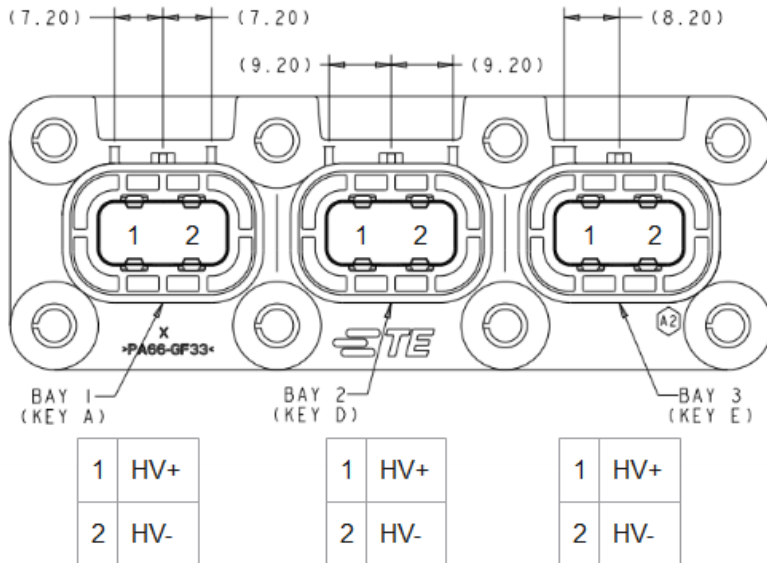
- Main: 400A
- Aux1: 20A
- Aux2: 30A
- Aux3: 20A
- Aux4: 30A
- Aux5: 10A

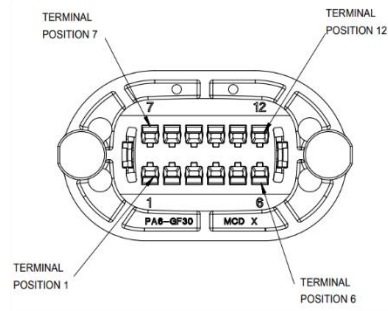


# Electrical Pinouts:



A	High Voltage Positive
B	High Voltage Negative





1	Contactors Feedback
2	Contactors 12V
3	Pre-Charge Relay 12V
4	Discharge Relay 12V
5	HVIL In
6	Reserved
7	Contactors Feedback
8	Contactors Ground
9	Pre-Charge Relay Ground
10	Discharge Relay Ground
11	HVIL Out
12	Reserved

