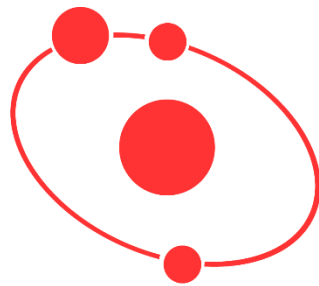


AMPERE  **EV**



ATOM
DRIVE SYSTEM

High Voltage Water Heater Datasheet

Version 1.2



CONTENTS

INTRODUCTION	3
KEY FEATURES.....	3
DIMENSIONS.....	4
HIGH VOLTAGE WIRE PINOUT	6
LOW VOLTAGE WIRE PINOUT.....	7
REVISION HISTORY.....	8



INTRODUCTION

The Ampere EV Atom Drive System is designed to work the first time, every time. To help maintain this to be true, the Atom Drive System utilizes a high voltage water heater. Complete with IP67 protection, this component has been designed to efficiently heat all necessary components of the Atom Drive System.

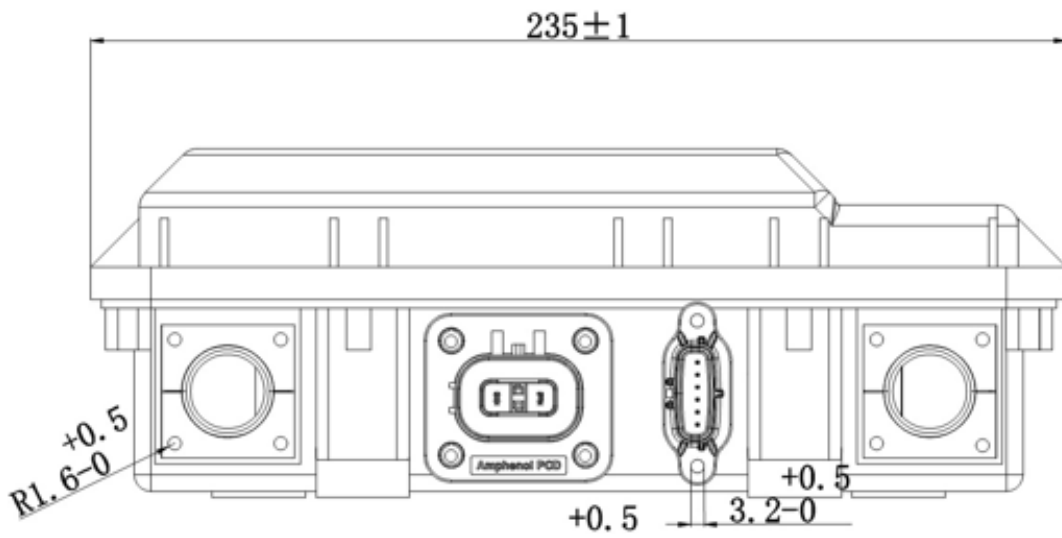
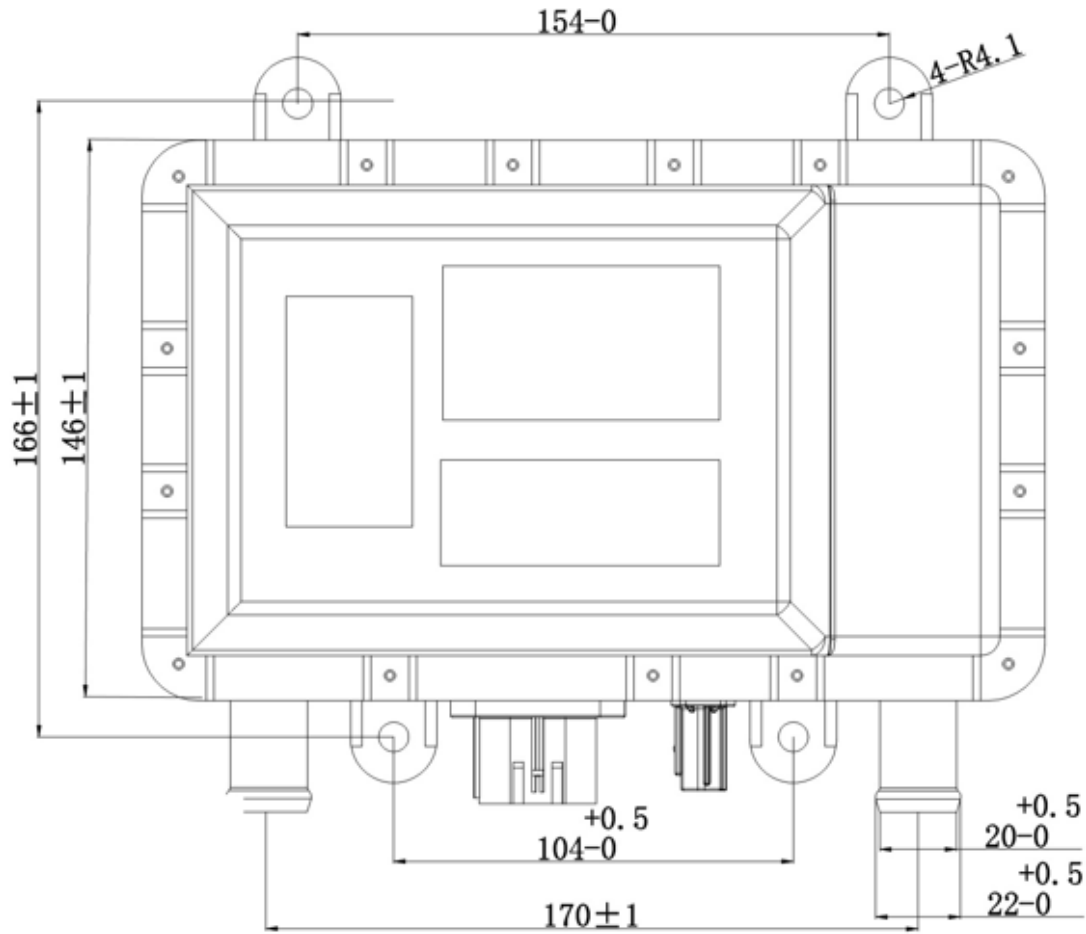


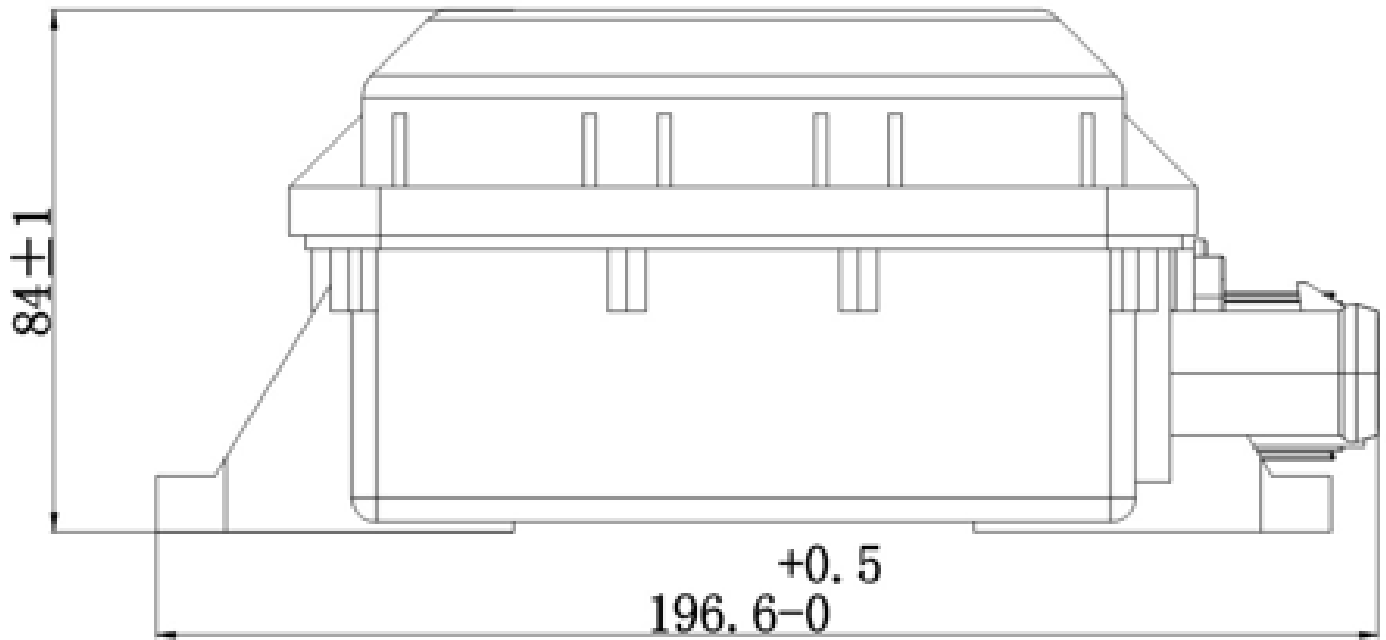
KEY FEATURES

Voltage Range	220-450 VDC
Control Voltage	24 VDC
Rated Capacity	3.5kW \pm 10%
Constant Liquid Temp	80 \pm 5 C°



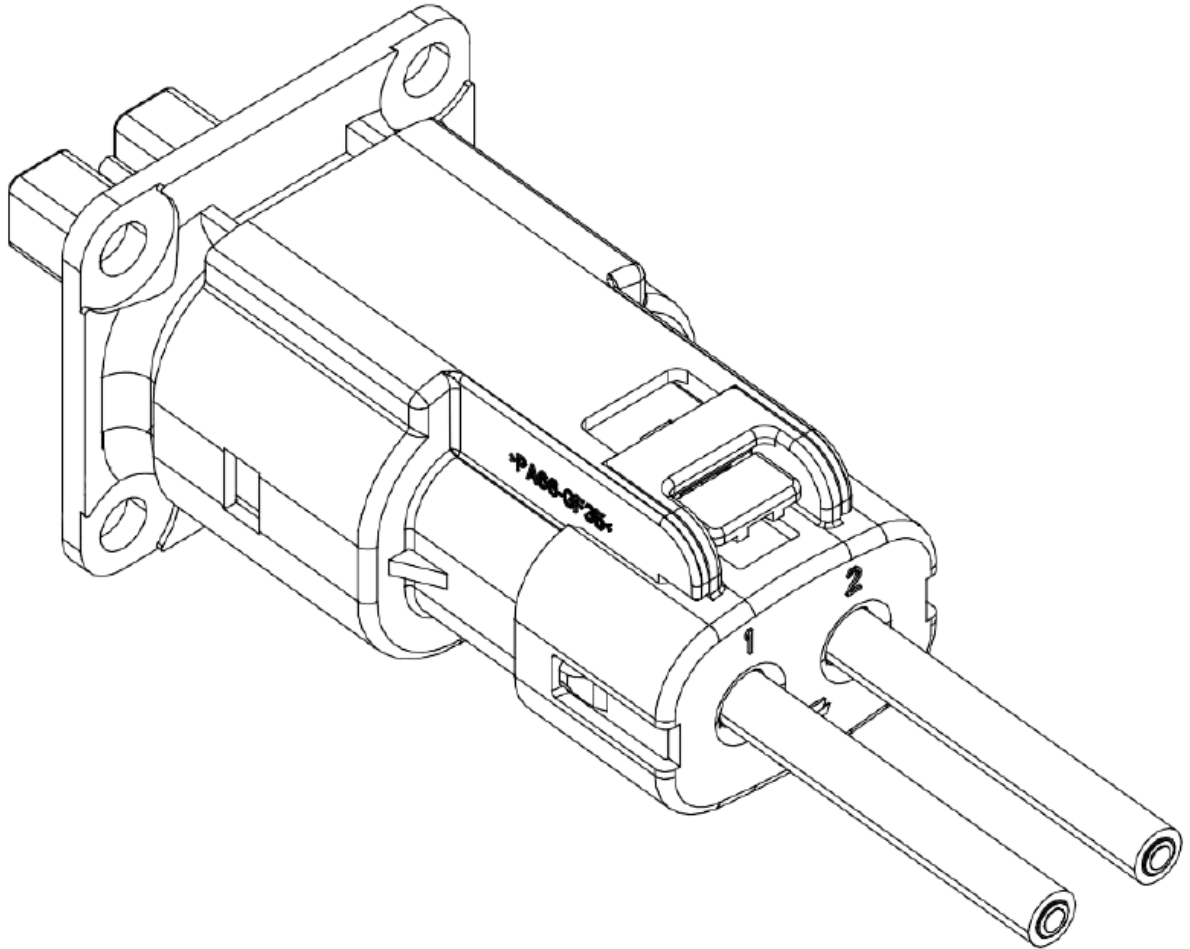
DIMENSIONS







HIGH VOLTAGE WIRE PINOUT



PIN NO.	NAME
1	PTC +
2	PTC -



LOW VOLTAGE WIRE PINOUT



PIN	LABEL	COLOR	DESCRIPTION
01			Empty
02	CAN HIGH	Yellow	CAN High
03	CAN LOW	Green	CAN Low
04	GND	Black	Ground
05	12V	Red	12V power
06			Empty



REVISION HISTORY

Version	Description of Version/Changes	Updated by	Date
1.0	First version of the document.	Vinnie Dekarski	7/29/22
1.1	Added drawings and improved layout to match current documentation style.	Ethan Foster	7/30/22
1.2	Fixed a mismatched HV pin number in HVA280 drawing and added version history tracking and low voltage wiring pinout descriptions.	Blakely Fabiani	2/21/23