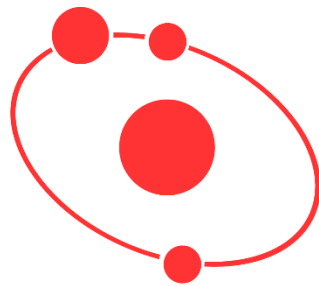


AMPERE  **EV**



ATOM
DRIVE SYSTEM

DANA MV800 Datasheet

Version 1.0



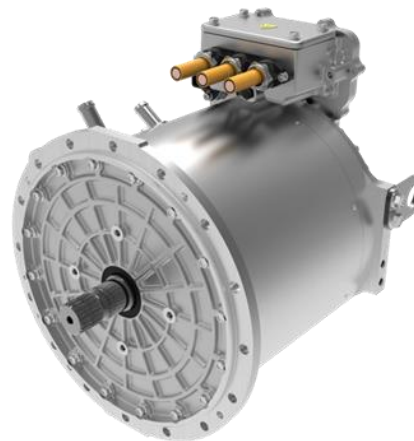
CONTENTS

- Main Features.....3
- Front Dimension4
- Rear Dimension5
- Left Dimension.....6
- Top Dimension.....7
- Inverter Top Dimension.....8
- Inverter Front Dimension8
- Inverter Right Side Dimension9
- REVISION HISTORY.....9



Main Features

The DANA MV800 is a motor and inverter package provided by one of the leading global automotive suppliers. This motor has an rpm range of 0-6500 RPM, which makes it a great match to replace engines without requiring additional reduction gearing. The separated inverter and motor allow for mounting flexibility.



Main Features

460VDC Maximum voltage

3-Phase Permanent Magnet Electric Motor

IP 6K9K Protection

Variable Switching Frequencies for Optimal Performance

Best in Class Power Density

Main Specifications

Peak Torque 775 Nm

Peak Power 250 kW

Continuous Power 115 kW

Maximum Speed 6500 rpm

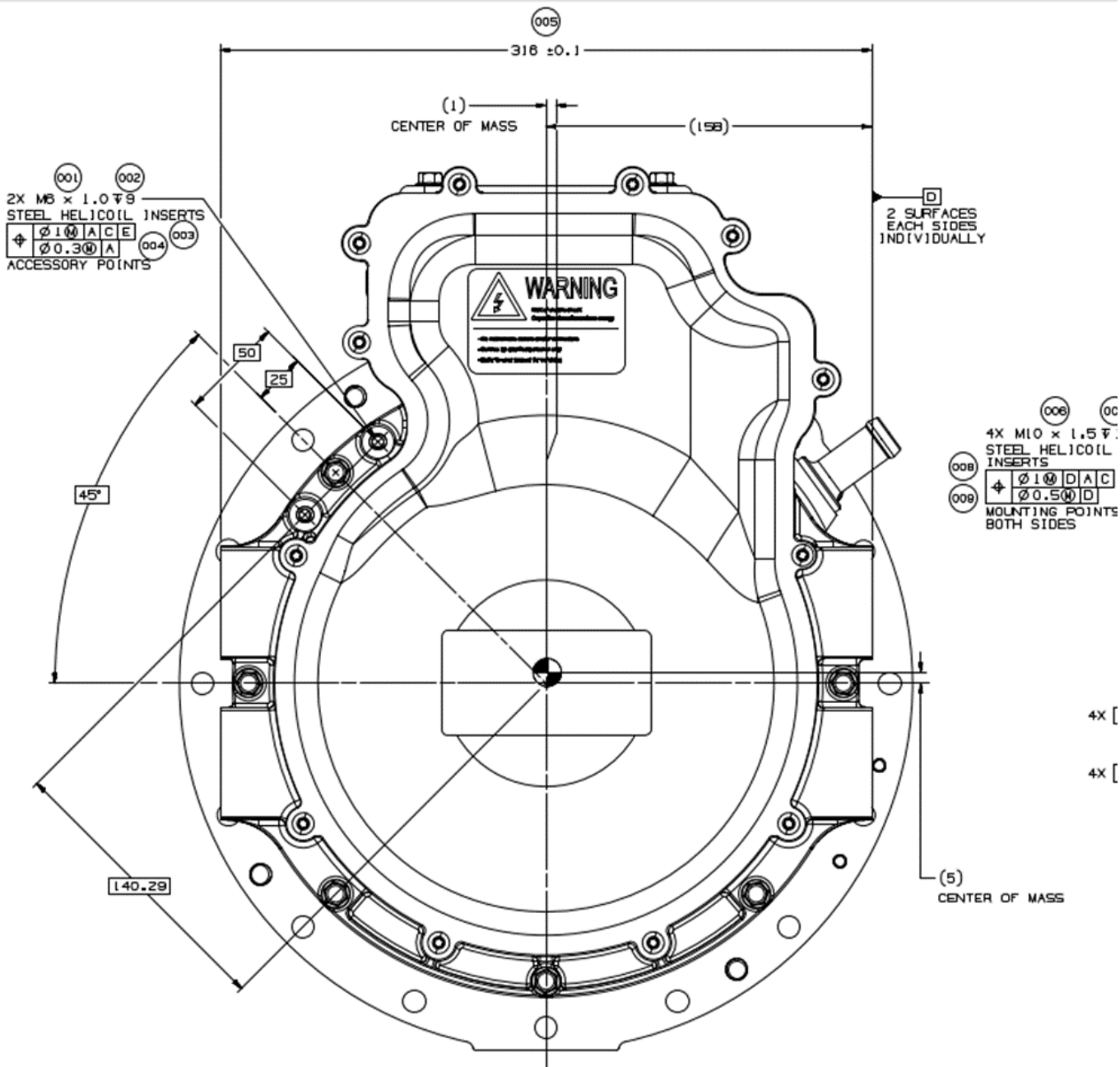
Weight 66.2 kg

Motor Cooling Medium Water Glycol

Inverter Cooling Medium 60% E.G. / 40% Water

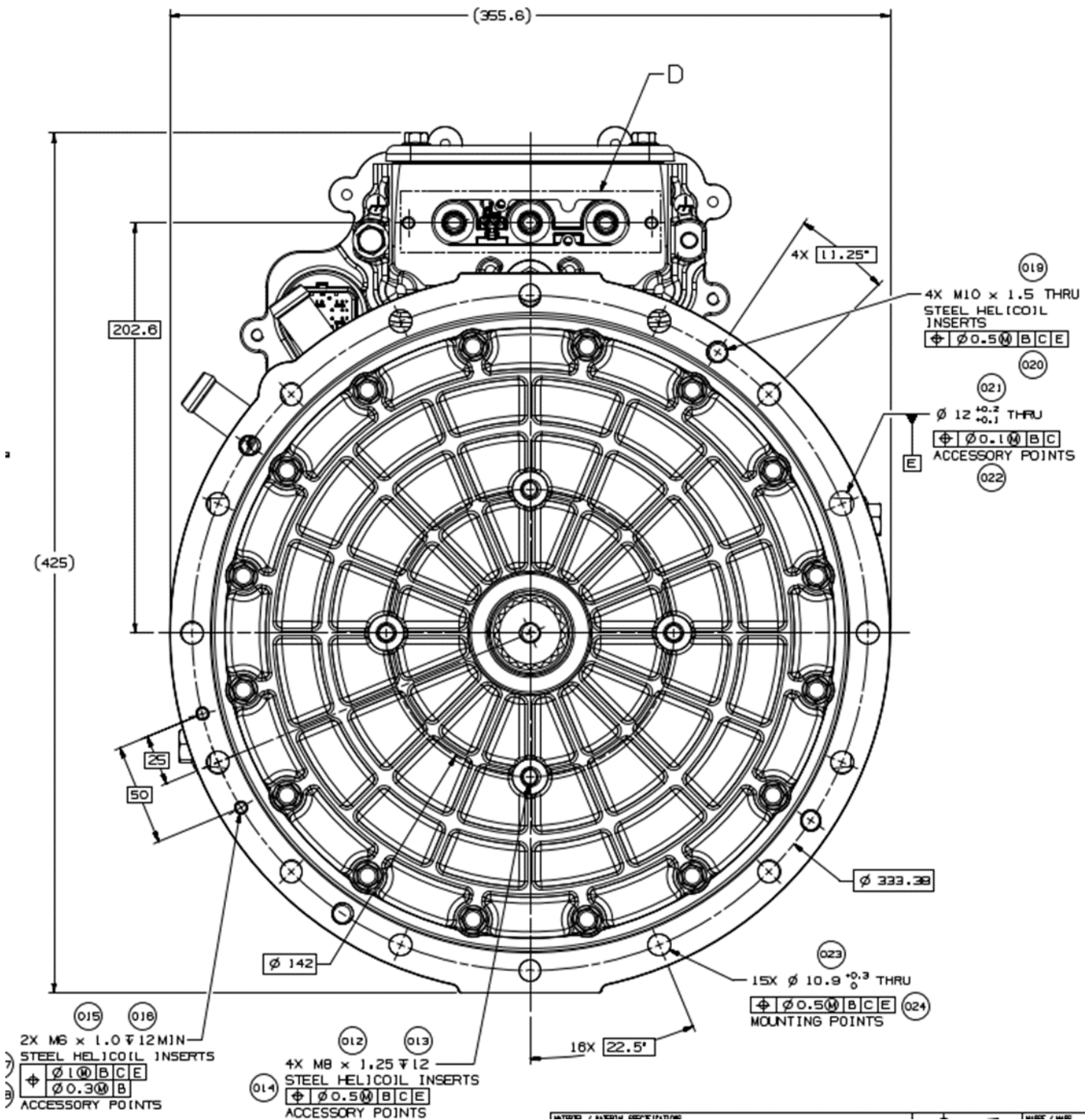


Front Dimension



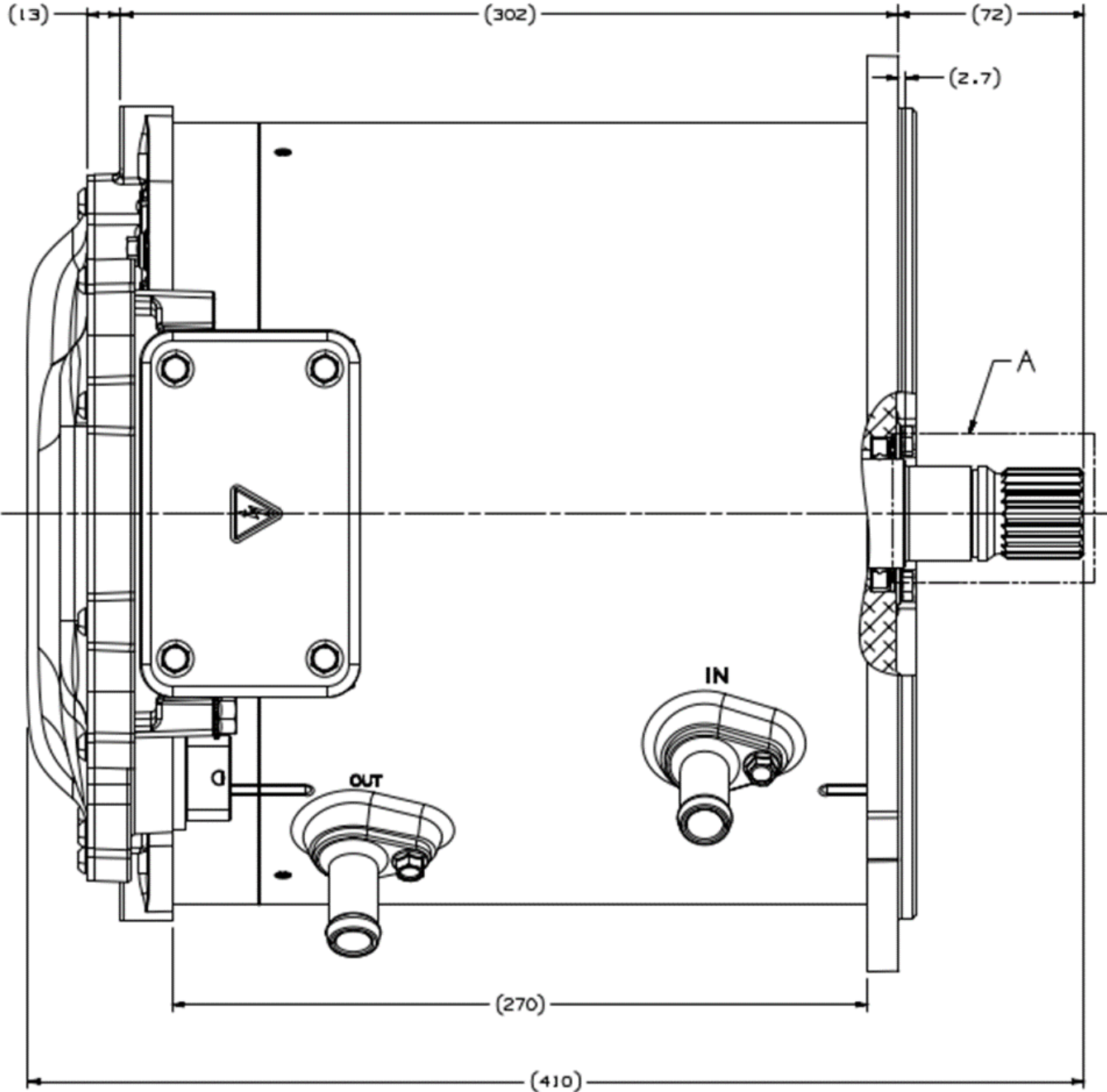


Rear Dimension



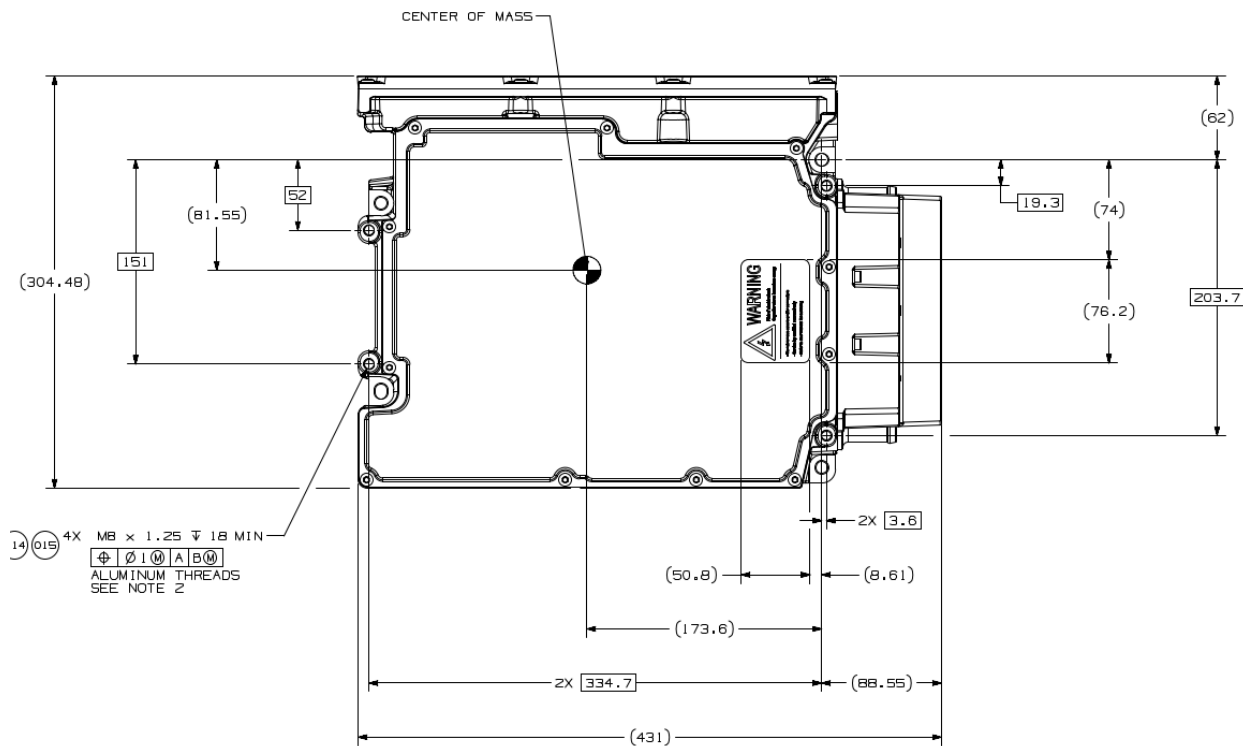


Top Dimension

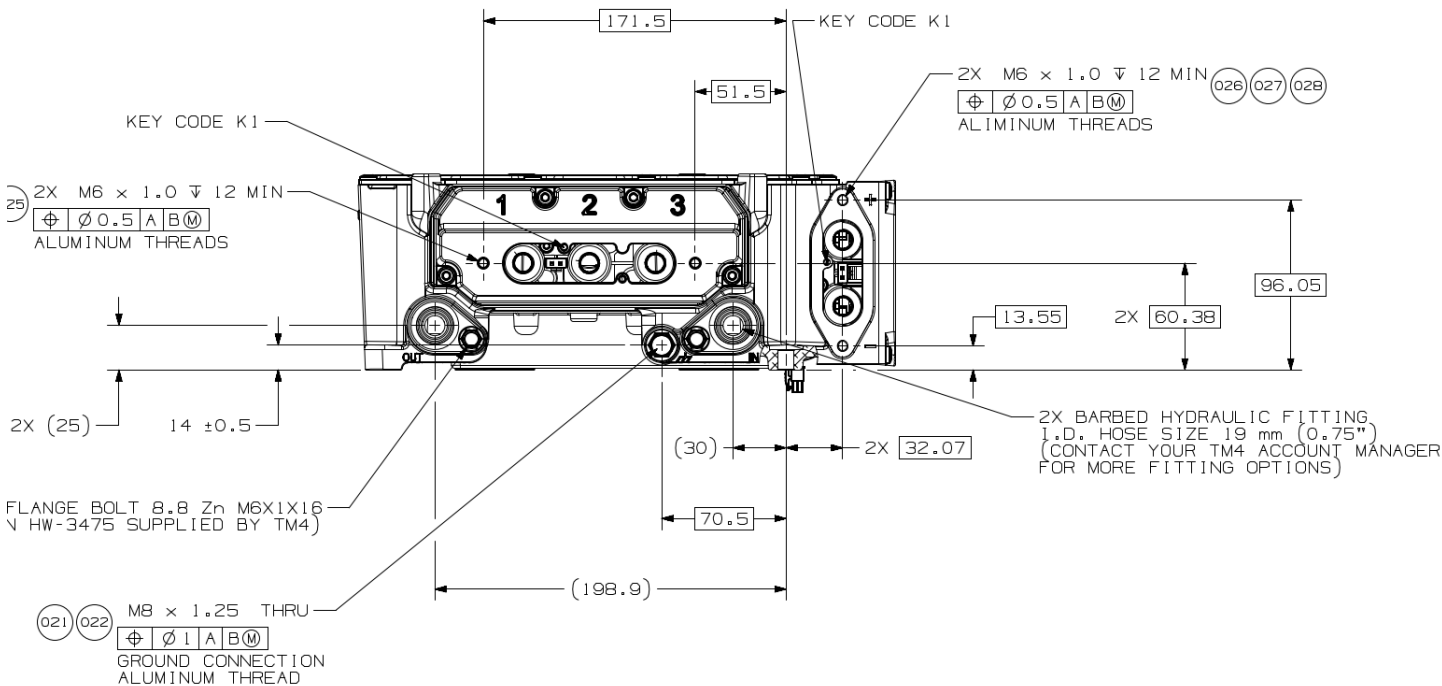




Inverter Top Dimension

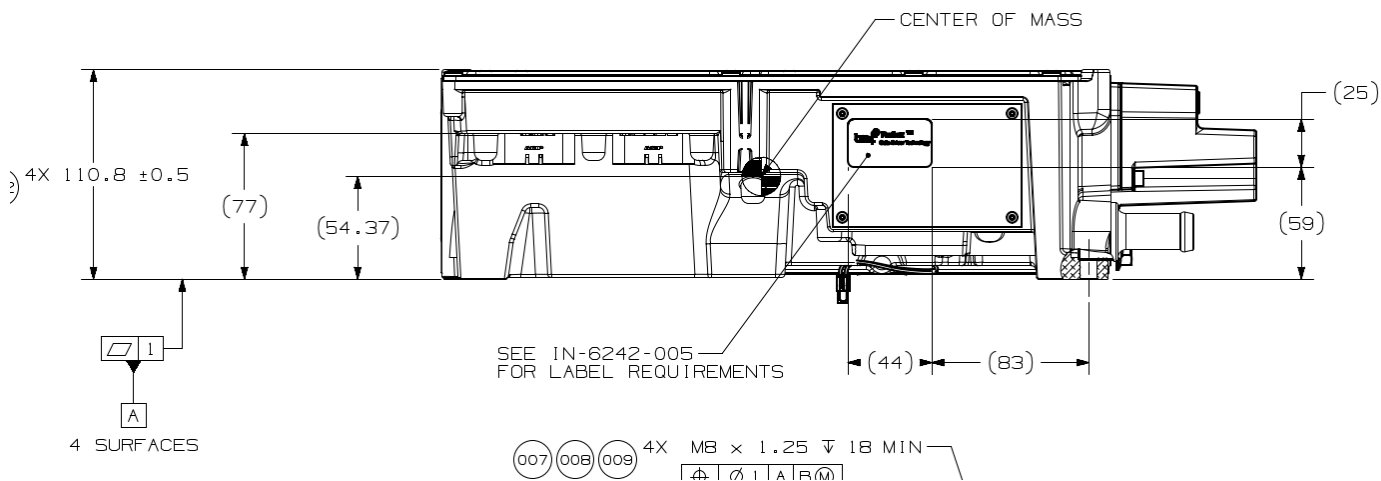


Inverter Front Dimension





Inverter Right Side Dimension



REVISION HISTORY

Version	Description of Version/Changes	Updated by	Date
1.0	First pass at assembling all relevant information.	Lawson Sumner	11/09/23